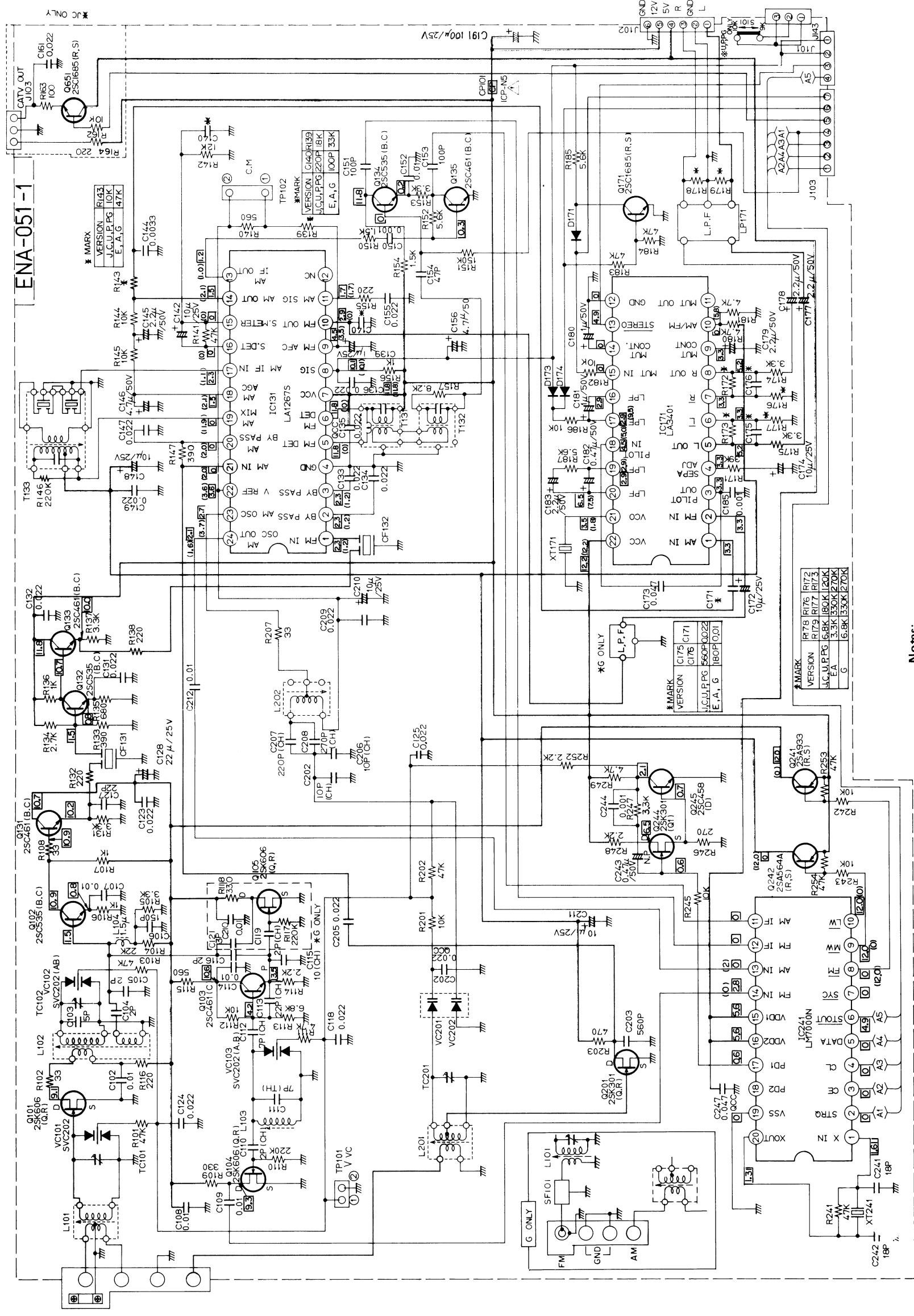


Schematic Diagrams

(1) FM/AM Tuner Section

RX-5VBK
RX-5VLBK



Notes:

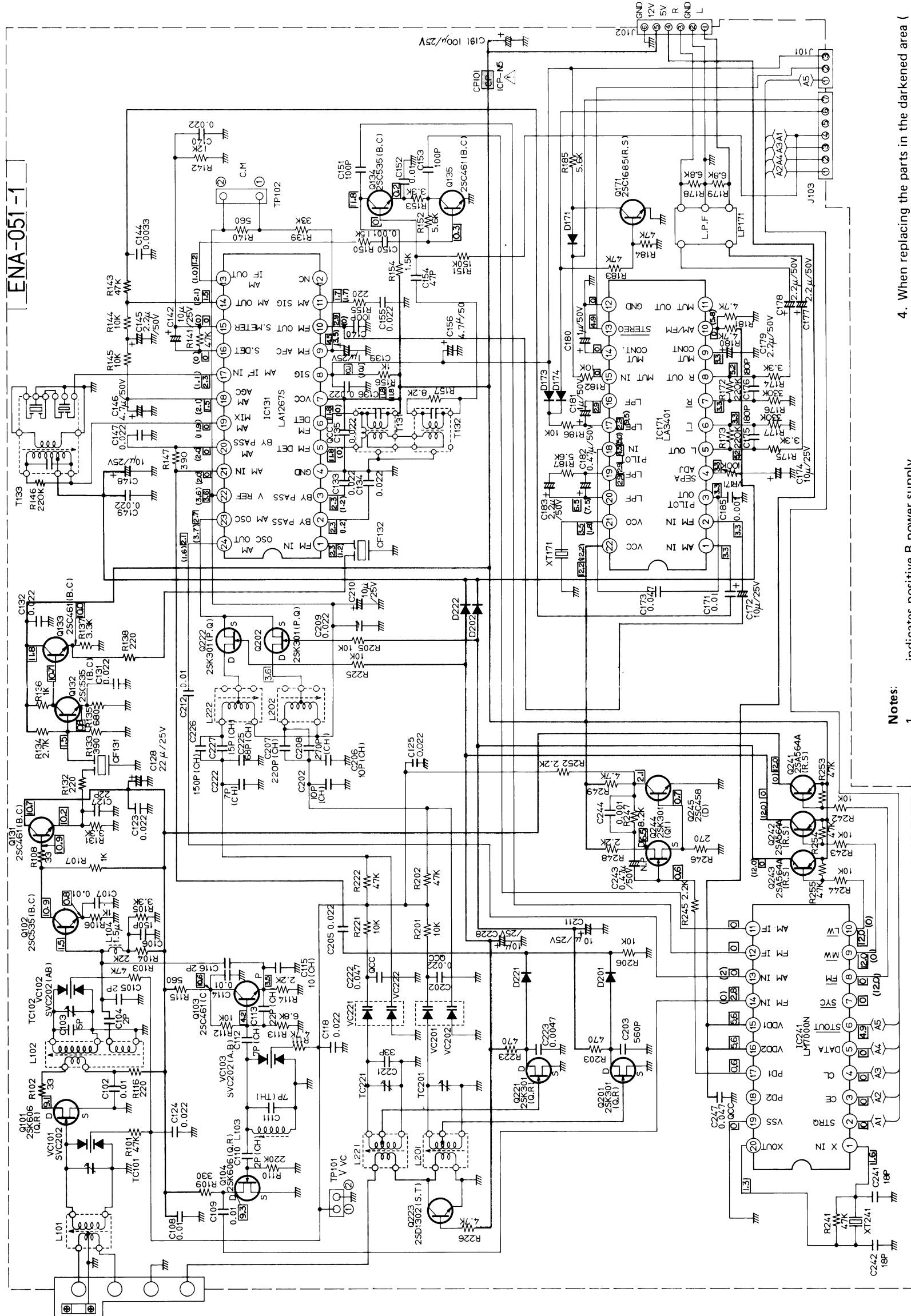
1. indicates positive B power supply.
2. indicates signal path.
3. [] shows DC voltage to the chassis with no signal input.
4. When replacing the parts in the darkened area () and those marked with Δ , be sure to use the designated parts to ensure safety.
5. This is the standard circuit diagram.

[] FM [] AM

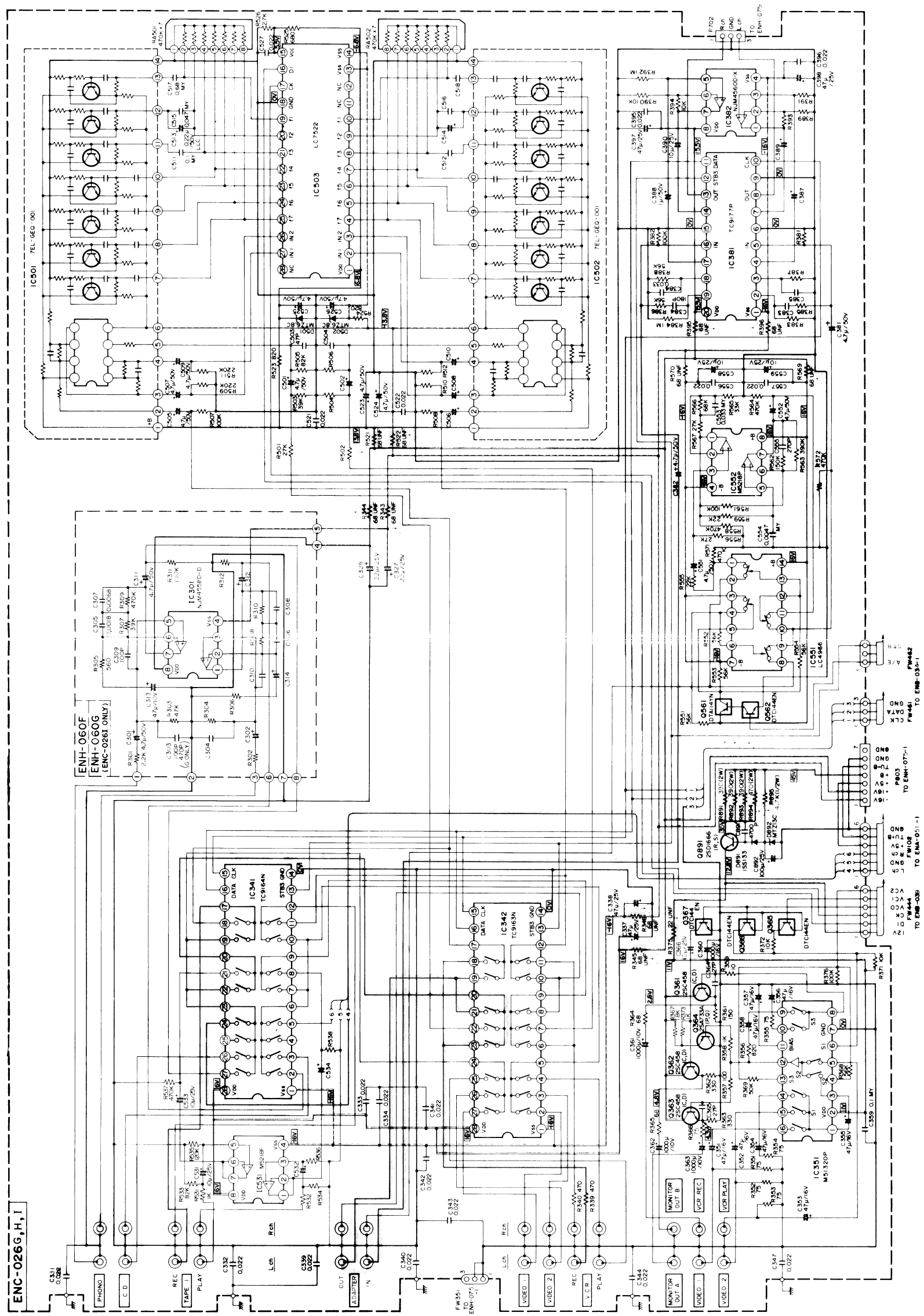
(No. 2904)

(No. 2904)

(2) FM/MW/LW Section



(4) Pre-Amplifier Section



RX-5VBK
RX-5VLBK

(5) Power Amplifier Section

